



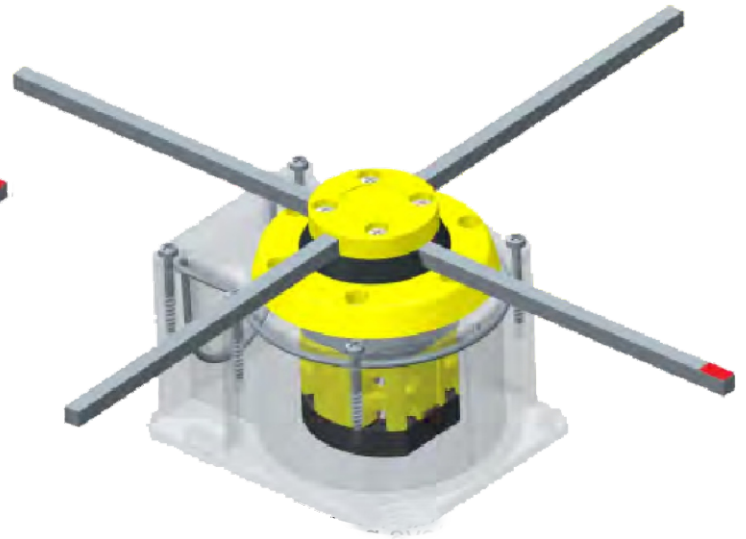
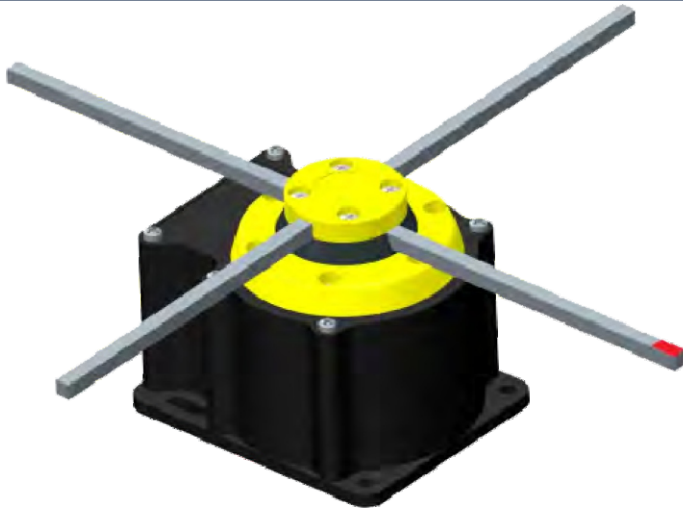
DEUS RRC PVT. LTD.



Leading manufacturer of SNT Radio Remote Control Systems & other Crane Control Equipments.

- Plot No.4319, G.I.D.C, Vatva, Phase IV, Ahmedabad - 382445, Tel: 079-25841148, E-mail:sales@sntrrc.com
- 120, Acharya Ind. Estate, Tejpal Compound, Andheri-kurla Road, Sakinaka, Mumbai-400 072
Tel. : +91 7506507534 / 9821092946 E-mail: mail@sntrrc.com

DEUS - SNT CROSS BAR LIMIT SWITCH



Introduction

DEUS-SNT Cross bar limit switch 4 way switch operates the control change-over contacts of a motor of moving equipment. When the moving equipment operating with a load actuates the 300mm rods of the limit switch, the NO/NC contact elements change over to control the equipment's movement

Application

The position (rotary-angular) limit switch is used to control several handling system:

• *Sophisticated crane system:*

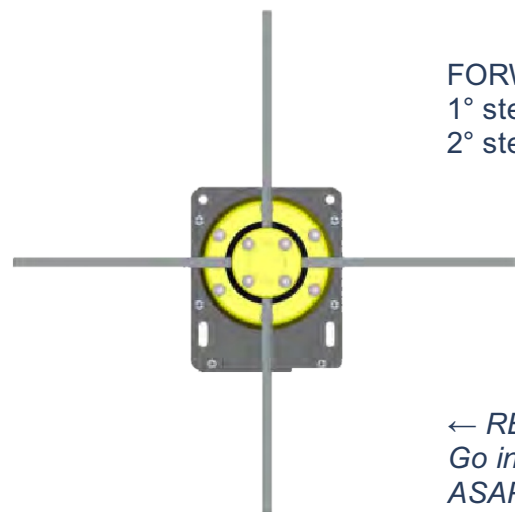
The unit controls power operating system (Ex. PLC) and allows the crane to slow-down and/or to stop running.

• *Hoist:*

The unit is used to stop the hoist running whenever it reaches a "limit" position

How it works

As an example, an CBLS006 is typically used on a sophisticated crane system. Its function is to control the crane as it approaches operational limits in the following sequence: With the crane moving forward the end position, the CBLS006 controls the crane's speed reducing the speed (first step) then stopping the crane (second step). In this position the forward command is no longer enabled. Only the reversing command is enabled for operation, in the first speed than in the second speed.



FORWARD →
1° step reduce the speed
2° step stop the system

← REVERSE
Go in first speed than,
ASAP the CBLS change pos.,
in the second speed

Example: CBLS006

TECHNICAL DATA

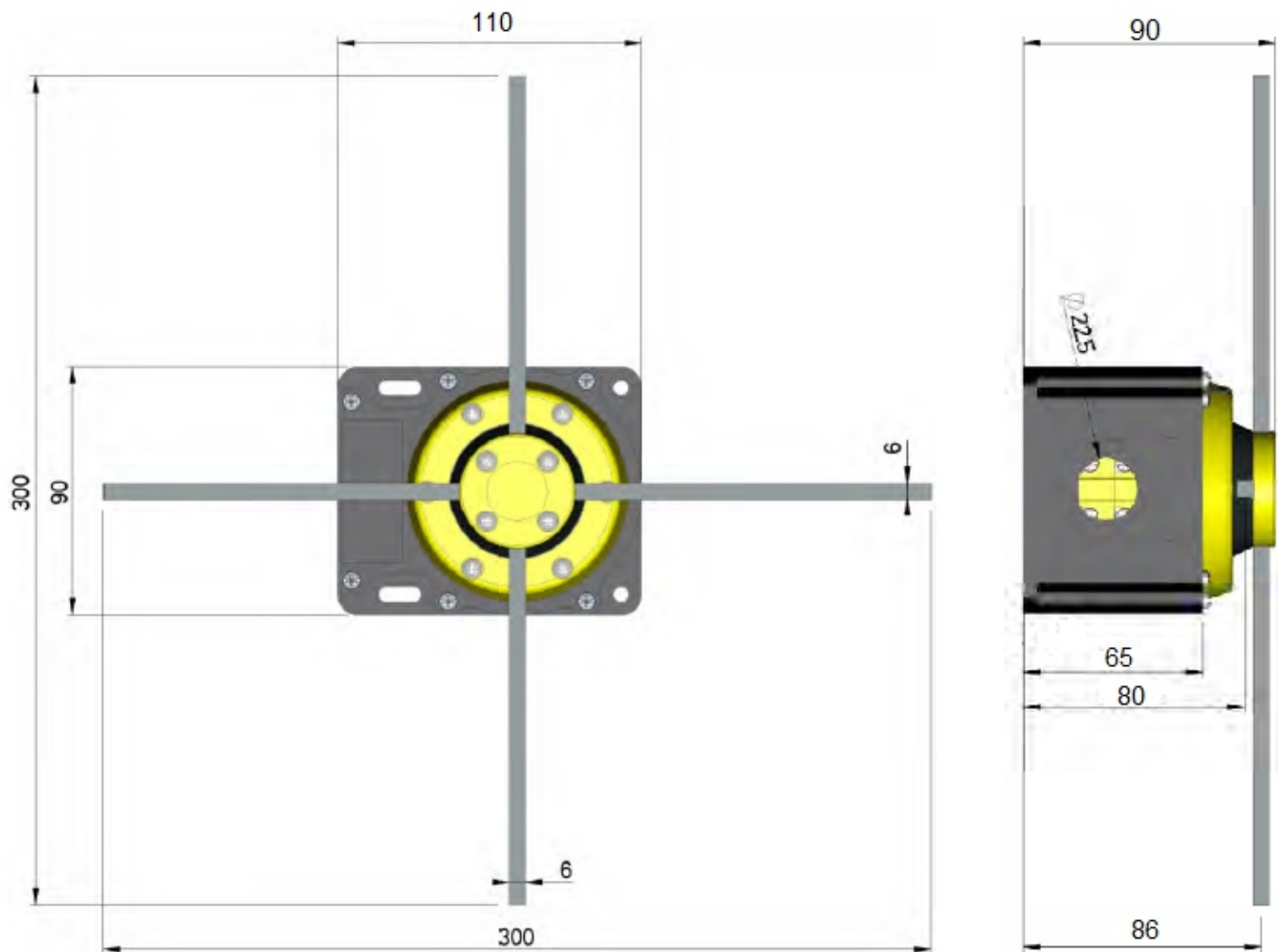
Body Material	Thermoplastic
Protection Degree	IP-65
Contact Material	Double Break
Rated Voltage / Frequency	690 V / 50HZ
Withstand voltage	kV 4
Rated Thermal Current	10 A°
Cable Entry	N° 1 dia. 22.5mm
Ambient Temperature	Operating: -25° + 55° C Storage: -30° + 70° C
Material Class	Class II IEC / En60497
Pollution	Class III IEC / En60497
	fully adjustable aluminum rods □ 6x300mm with "0" indicator - reinforced mechanical stop

Models:

CBLSS001	single speed	<p>3 positions No mechanical interlock (●)</p>	<table border="1"> <tr> <td>3-4</td> <td>■</td> <td>■</td> <td>■</td> </tr> <tr> <td>1-2</td> <td>■</td> <td>■</td> <td>■</td> </tr> <tr> <td>Cont. Pos.</td> <td>-90°</td> <td>0</td> <td>+90°</td> </tr> </table>	3-4	■	■	■	1-2	■	■	■	Cont. Pos.	-90°	0	+90°										
3-4	■	■	■																						
1-2	■	■	■																						
Cont. Pos.	-90°	0	+90°																						
CBLS002	single speed	<p>3 positions No mechanical interlock (●)</p>	<table border="1"> <tr> <td>7-8</td> <td>■</td> <td>■</td> <td>■</td> </tr> <tr> <td>5-6</td> <td>■</td> <td>■</td> <td>■</td> </tr> <tr> <td>3-4</td> <td>■</td> <td>■</td> <td>■</td> </tr> <tr> <td>1-2</td> <td>■</td> <td>■</td> <td>■</td> </tr> <tr> <td>Cont. Pos.</td> <td>-90°</td> <td>0</td> <td>+90°</td> </tr> </table>	7-8	■	■	■	5-6	■	■	■	3-4	■	■	■	1-2	■	■	■	Cont. Pos.	-90°	0	+90°		
7-8	■	■	■																						
5-6	■	■	■																						
3-4	■	■	■																						
1-2	■	■	■																						
Cont. Pos.	-90°	0	+90°																						
CBLSS003	single speed	<p>4 positions No mechanical interlock</p>	<table border="1"> <tr> <td>3-4</td> <td>■</td> <td>■</td> <td>■</td> <td>■</td> </tr> <tr> <td>1-2</td> <td>■</td> <td>■</td> <td>■</td> <td>■</td> </tr> <tr> <td>Cont. Pos.</td> <td>0</td> <td>90°</td> <td>180°</td> <td>270°</td> </tr> </table>	3-4	■	■	■	■	1-2	■	■	■	■	Cont. Pos.	0	90°	180°	270°							
3-4	■	■	■	■																					
1-2	■	■	■	■																					
Cont. Pos.	0	90°	180°	270°																					
CBLS004	single speed	<p>4 positions No mechanical interlock (●)</p>	<table border="1"> <tr> <td>-</td> <td>empty</td> </tr> <tr> <td>5-6</td> <td>■</td> </tr> <tr> <td>-</td> <td>empty</td> </tr> <tr> <td>1-2</td> <td>■</td> </tr> <tr> <td>Cont. Pos.</td> <td>0 90° 180° 270°</td> </tr> </table>	-	empty	5-6	■	-	empty	1-2	■	Cont. Pos.	0 90° 180° 270°												
-	empty																								
5-6	■																								
-	empty																								
1-2	■																								
Cont. Pos.	0 90° 180° 270°																								
CBLSS005	single speed	<p>4 positions No mechanical interlock</p>	<table border="1"> <tr> <td>-</td> <td>empty</td> </tr> <tr> <td>5-6</td> <td>■</td> </tr> <tr> <td>-</td> <td>empty</td> </tr> <tr> <td>1-2</td> <td>■</td> </tr> <tr> <td>Cont. Pos.</td> <td>0 90° 180° 270°</td> </tr> </table>	-	empty	5-6	■	-	empty	1-2	■	Cont. Pos.	0 90° 180° 270°												
-	empty																								
5-6	■																								
-	empty																								
1-2	■																								
Cont. Pos.	0 90° 180° 270°																								
CBLS006	two speeds	<p>4 positions No mechanical interlock (●)</p>	<table border="1"> <tr> <td>7-8</td> <td>■</td> <td>■</td> <td>■</td> </tr> <tr> <td>5-6</td> <td>■</td> <td>■</td> <td>■</td> </tr> <tr> <td>3-4</td> <td>■</td> <td>■</td> <td>■</td> </tr> <tr> <td>1-2</td> <td>■</td> <td>■</td> <td>■</td> </tr> <tr> <td>Cont. Pos.</td> <td>-180°</td> <td>-90°</td> <td>0</td> <td>+90°</td> <td>+180°</td> </tr> </table>	7-8	■	■	■	5-6	■	■	■	3-4	■	■	■	1-2	■	■	■	Cont. Pos.	-180°	-90°	0	+90°	+180°
7-8	■	■	■																						
5-6	■	■	■																						
3-4	■	■	■																						
1-2	■	■	■																						
Cont. Pos.	-180°	-90°	0	+90°	+180°																				

DEUS - SNT CROSS BAR LIMIT SWITCH

Dimensions:



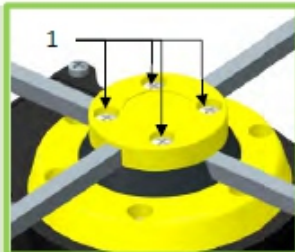
Rods adjusting guide

I. Loosen the four screws (1)

II. Adjust the rods



III. Tighten the four screws (1)



"ZERO" indicator



Reinforced mechanical stop insert

metallic stop insert

metallic cam's control shaft

