



DEUS RRC PVT. LTD.



Leading manufacturer of SNT Radio Remote Control Systems & other Crane Control Equipments.

- Plot No.4319, G.I.D.C, Vatva, Phase IV, Ahmedabad - 382445, Tel: 079-25841148, E-mail:sales@sntrrc.com
- 120, Acharya Ind. Estate, Tejpal Compound, Andheri-kurla Road, Sakinaka, Mumbai-400 072
Tel. : +91 7506507534 / 9821092946 E-mail: mail@sntrrc.com

Technical Data

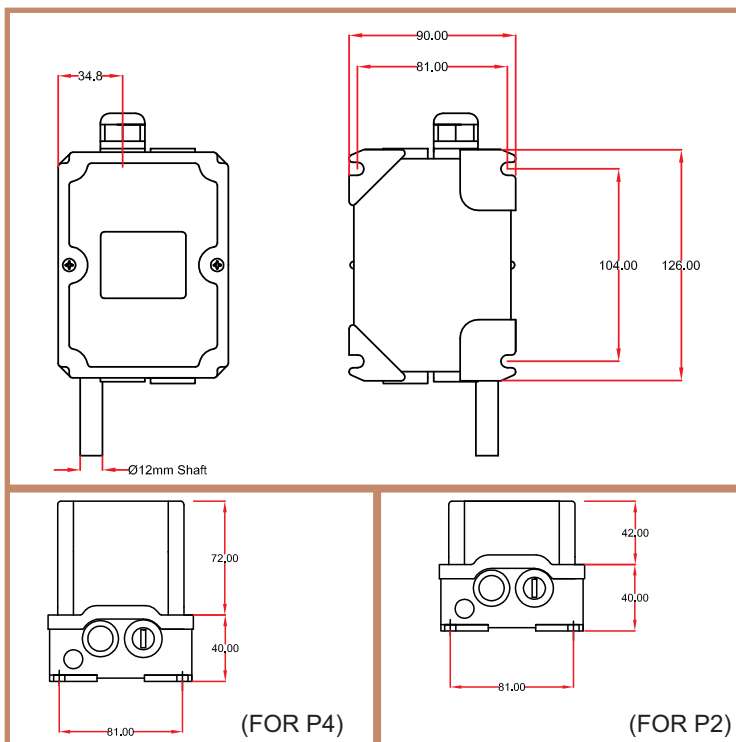
Material	Plastic GFN (Black) & Impact-proof Thermo Plastic
Mounting Position	Any position mounting
Protection Degree	IP-55 (IS/IEC:60529(2001))
Operating Temperature	- 10°C to 85°C
Gear Ratios	1:12.5, 1:25, 1:50, 1:100, 1:200 and 1:400
Contact Material	Silver Cadmium
No. Of Contacts	2 NC & 4 NC
Drive	Worm Screw
Wire Connection	Screw terminal contact
Cable Entries	Twin, 3/4 " BS Conduit
Current	10 A at 230 V AC
Rated voltage	up to 600 V AC



Mechanical Data

Ratios	Useful Rotations	Model
1 : 12.5	11.6	FG - 12.5 / P2
1 : 25	23.2	FG - 25 / P2
1 : 50	46.5	FG - 50 / P2
1 : 100	93	FG - 100 / P2
1 : 200	185	FG - 200 / P2
1 : 400	372	FG - 400 / P2
1 : 12.5	11.6	FG - 12.5 / P4
1 : 25	23.2	FG - 25 / P4
1 : 50	46.5	FG - 50 / P4
1 : 100	93	FG - 100 / P4
1 : 200	185	FG - 200 / P4
1 : 400	372	FG - 400 / P4

GA DRAWING



Introduction

Worm Drive Limit Switches are suitable for use on reversing drives, such as Hoists, Cranes, Winches, Rolling Mills, Theaters, Coke Ovens etc.

The driving motion is transmitted by worm gear. All gears and hubs are made of low wear thermoplastic.

The rotational movements are transmitted to switches by adjustable cams.